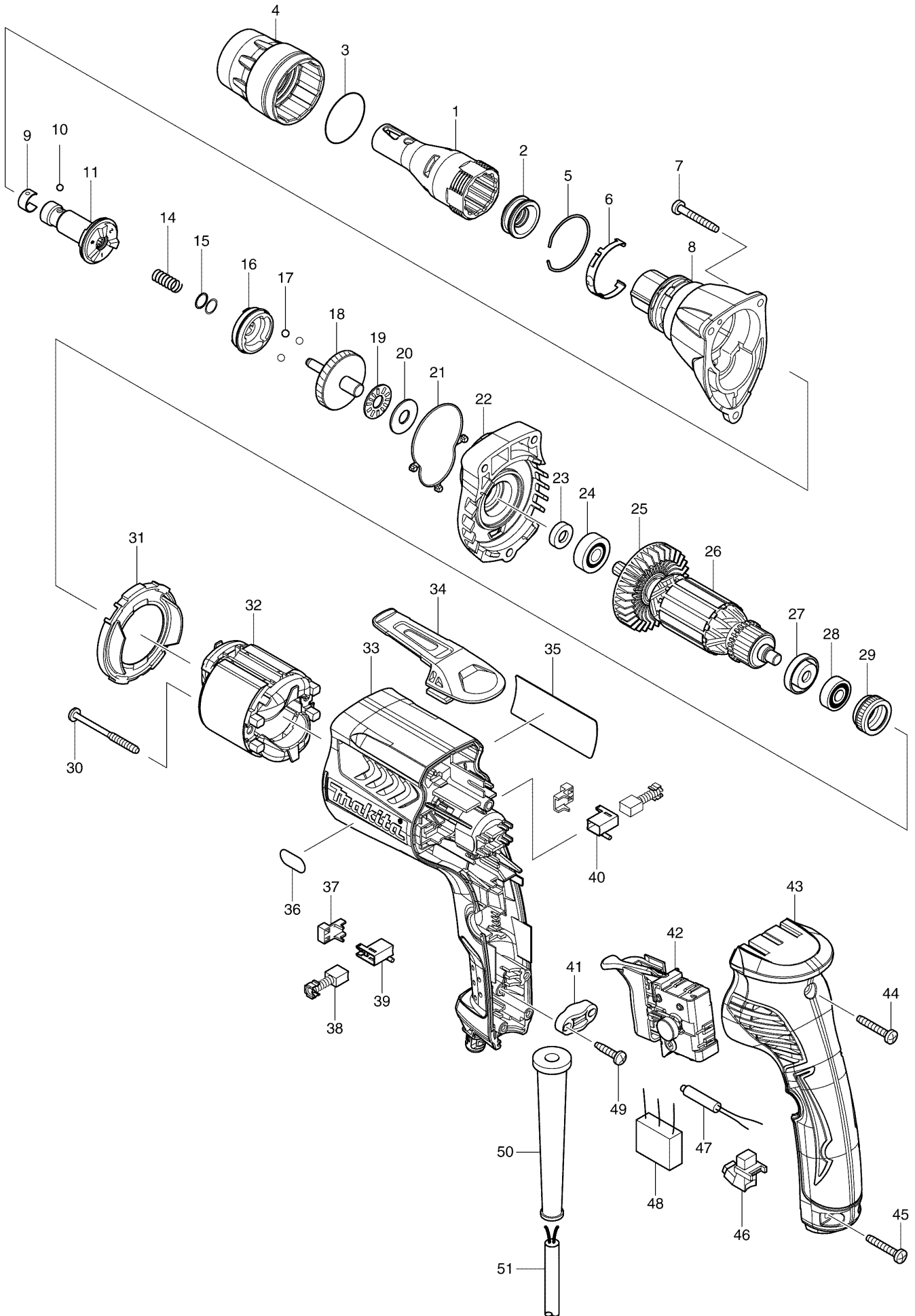


Partdrawing for FS4300 - DRYWALL SCREWDRIVER



No.	Part no.	Name
33	450878-5	MOTOR HOUSING L FS2500/27/6300
31	450880-8	BAFFLE PLATE FS2500/6300/2700
4	450881-6	LOCATOR RING FS2500/FS6300
23	451099-2	RING 7 FS2500/2700
26	515755-9	ARMATURE ASSEMBLY 115V
26	515759-1	ARMATURE ASSEMBLY 240V
46	631938-4	LIGHT CIRCUIT 110V FS2500/6300
46	631939-2	LIGHT CIRCUIT 240V FS2500/6300
32	633690-0	FIELD 110V FS2500/6300/2700
32	633693-4	FIELD 240V FS2500/6300
39	643948-9	BRUSH HOLDER DP4003
40	643951-0	BRUSH HOLDER DP4003
48	645253-0	NOISE SUPPRESSOR 110V
47	646122-8	CHOKE COIL FS2500/6300/2700
42	650614-1	SWITCH FS2500/6300/2700
51	665940-5	POWER SUPPLY CORD 1.0-2-4.0
27	681636-0	INSULATION WASHER GA4534/5034
50	682566-8	CORD GUARD 10 TD0101F/2450
41	687124-5	STRAIN RELIEF 240V BO3710/11
37	689111-0	SPACER HR2020/2440/2450/HP2050
51	692502-6	POWER SUPPLY CORD 1.0-2-4.0
36	808575-1	4000RPM INDICATION LABEL
35	866576-5	FS4300 NAME PLATE
22	158874-4	GEAR HOUSING COVER COMP FS6300
1	158875-2	LOCATOR S COMP FS6300
43	158878-6	HANDLE COVER L COMP FS MODELS
8	158882-5	GEAR HOUSING HSB COMPLETE
18	158884-1	GEAR 41S COMPLETE
11	158886-7	SPINDLE 125S COMP FS6300
34	162272-6	HOOK FS2500/2700/6300
38	191962-4	CARBON BRUSH CB-419 SET HP1641
24	210007-0	BALL BEARING 608VV 6826/6827
28	210062-2	*BALL BEARING 607ZZ BO3710/11
10	216001-0	*STEEL BALL 3.5 10PK
17	216008-6	*STEEL BALL 4 10PK
20	216212-7	WASHER 821 FOR 6823/24/25/26
19	216415-3	THRUST NEEDLE GAUGE 821 6825
16	223170-0	CLUTCH CAM FS6300
9	232050-9	LEAF SPRING 6824/26/27/6800DBV
6	232245-4	LEAF SPRING BFS440/450/FS6300
5	233974-2	RING SPRING 33 FS2500/6300
14	234121-8	COMPRESSION SPRING 8 FS6300
49	265995-6	*PT SCREW 4X18 10PK KP0810C
7	266361-0	*R.H SQUARE NECK BOLT M8 10PK
44	266374-1	*TAPPING SCREW 4X25 GA9020S
45	266374-1	*TAPPING SCREW 4X25 GA9020S
30	266467-4	TAPPING SCREW M4X50 FS2500/630
15	267202-3	FLAT WASHER 8 6823/24/25/26

29	421868-5	LABYRINTH RUBBER RING 9553/955
21	424162-4	SEAL RING FS6300
2	424163-2	DUST SEAL SLEEVE FS6300
3	424235-3	SEAL RING 30 FS2500/6300