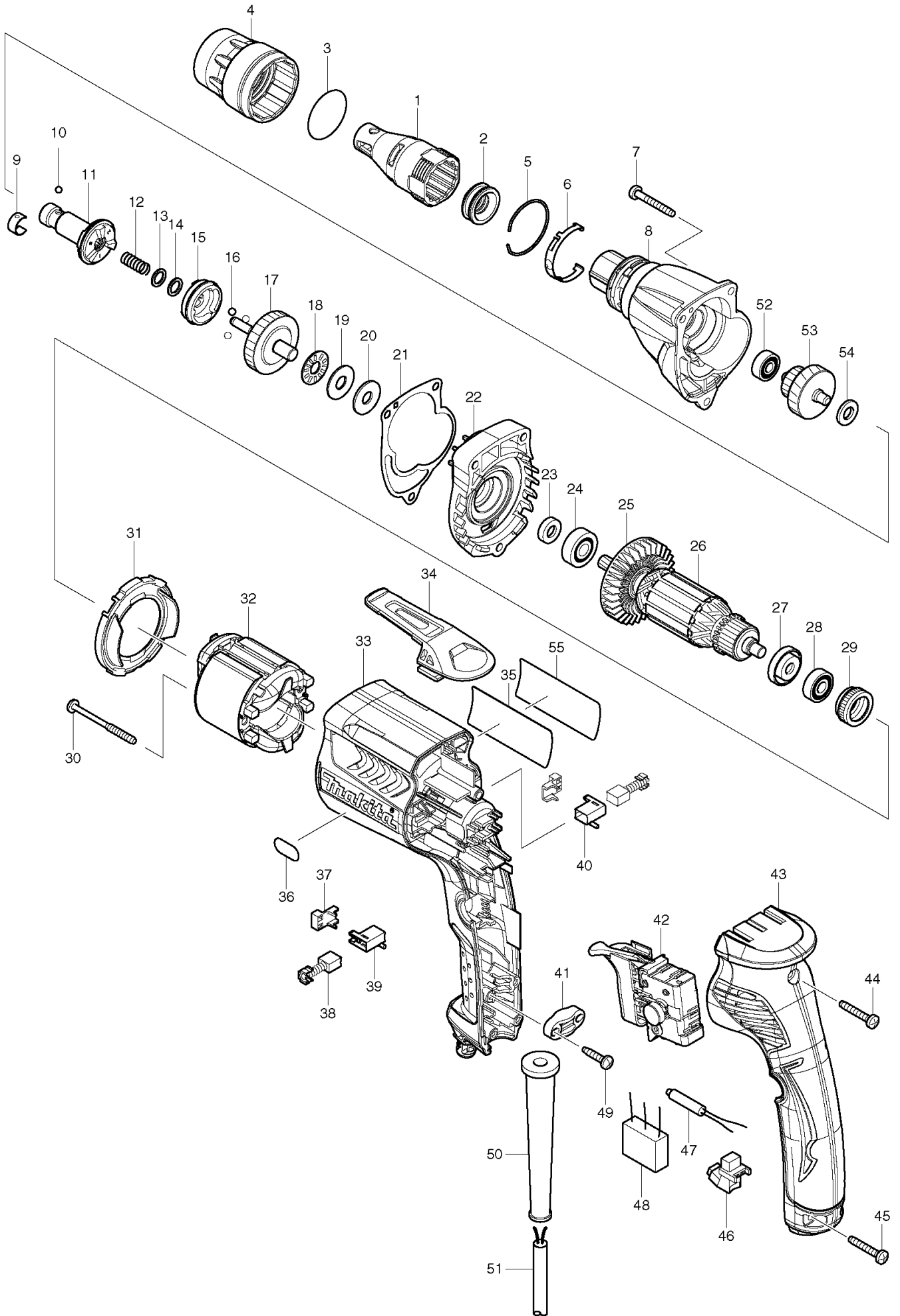


Partdrawing for FS2300 - DRYWALL SCREWDRIVER



No.	Part no.	Name
33	450878-5	MOTOR HOUSING L FS2500/27/6300
31	450880-8	BAFFLE PLATE FS2500/6300/2700
4	450881-6	LOCATOR RING FS2500/FS6300
23	451099-2	RING 7 FS2500/2700
26	515760-6	ARMATURE ASSY 110V FS2500/2700
46	631938-4	LIGHT CIRCUIT 110V FS2500/6300
32	633690-0	FIELD 110V FS2500/6300/2700
39	643952-8	BRUSH HOLDER FS2500/2700
40	643953-6	BRUSH HOLDER FS2500/2700
48	645253-0	NOISE SUPPRESSOR 110V
47	646122-8	CHOKER COIL FS2500/6300/2700
42	650614-1	SWITCH FS2500/6300/2700
51	665940-5	POWER SUPPLY CORD 1.0-2-4.0
27	681636-0	INSULATION WASHER GA4534/5034
50	682566-8	CORD GUARD 10 TD0101F/2450
41	687124-5	STRAIN RELIEF 240V BO3710/11
37	689111-0	SPACER HR2020/2440/2450/HP2050
36	808574-3	INDICATION LABEL FS2500/2700
55	892811-5	CLEAR LABEL
8	142299-2	GEAR HOUSING LS COMPLETE
35	867019-0	FS2300 NAME PLATE
1	158875-2	LOCATOR S COMP FS6300
43	158878-6	HANDLE COVER L COMP FS MODELS
11	158886-7	SPINDLE 125S COMP FS6300
17	158891-4	SPUR GEAR 35S COMPLETE
22	158982-1	GEAR HOUSING COVER COMP FS
34	162272-6	HOOK FS2500/2700/6300
38	191962-4	CARBON BRUSH CB-419 SET HP1641
24	210007-0	BALL BEARING 608VV 6826/6827
28	210062-2	*BALL BEARING 607ZZ BO3710/11
52	211012-0	BALL BEARING 606ZZ HR2410/2450
10	216001-0	*STEEL BALL 3.5 10PK
16	216008-6	*STEEL BALL 4 10PK
19	216212-7	WASHER 821 FOR 6823/24/25/26
18	216415-3	THRUST NEEDLE GAUGE 821 6825
15	223170-0	CLUTCH CAM FS6300
53	226157-1	GEAR COMPLETE 17-39 FS2500/270
9	232050-9	LEAF SPRING 6824/26/27/6800DBV
6	232245-4	LEAF SPRING BFS440/450/FS6300
5	233974-2	RING SPRING 33 FS2500/6300
12	234121-8	COMPRESSION SPRING 8 FS6300
20	261111-8	*URETHANE WASHER 8 6827/FS2700
49	265995-6	*PT SCREW 4X18 10PK KP0810C
7	266361-0	*R.H SQUARE NECK BOLT M8 10PK
44	266374-1	*TAPPING SCREW 4X25 GA9020S
45	266374-1	*TAPPING SCREW 4X25 GA9020S
30	266467-4	TAPPING SCREW M4X50 FS2500/630
54	267017-8	*WASHER 8 - HK1800 10PK

13	267202-3	FLAT WASHER 8 6823/24/25/26
14	267202-3	FLAT WASHER 8 6823/24/25/26
29	421868-5	LABYRINTH RUBBER RING 9553/955
2	424163-2	DUST SEAL SLEEVE FS6300
3	424235-3	SEAL RING 30 FS2500/6300
21	442149-4	GASKET FS2500 /2700