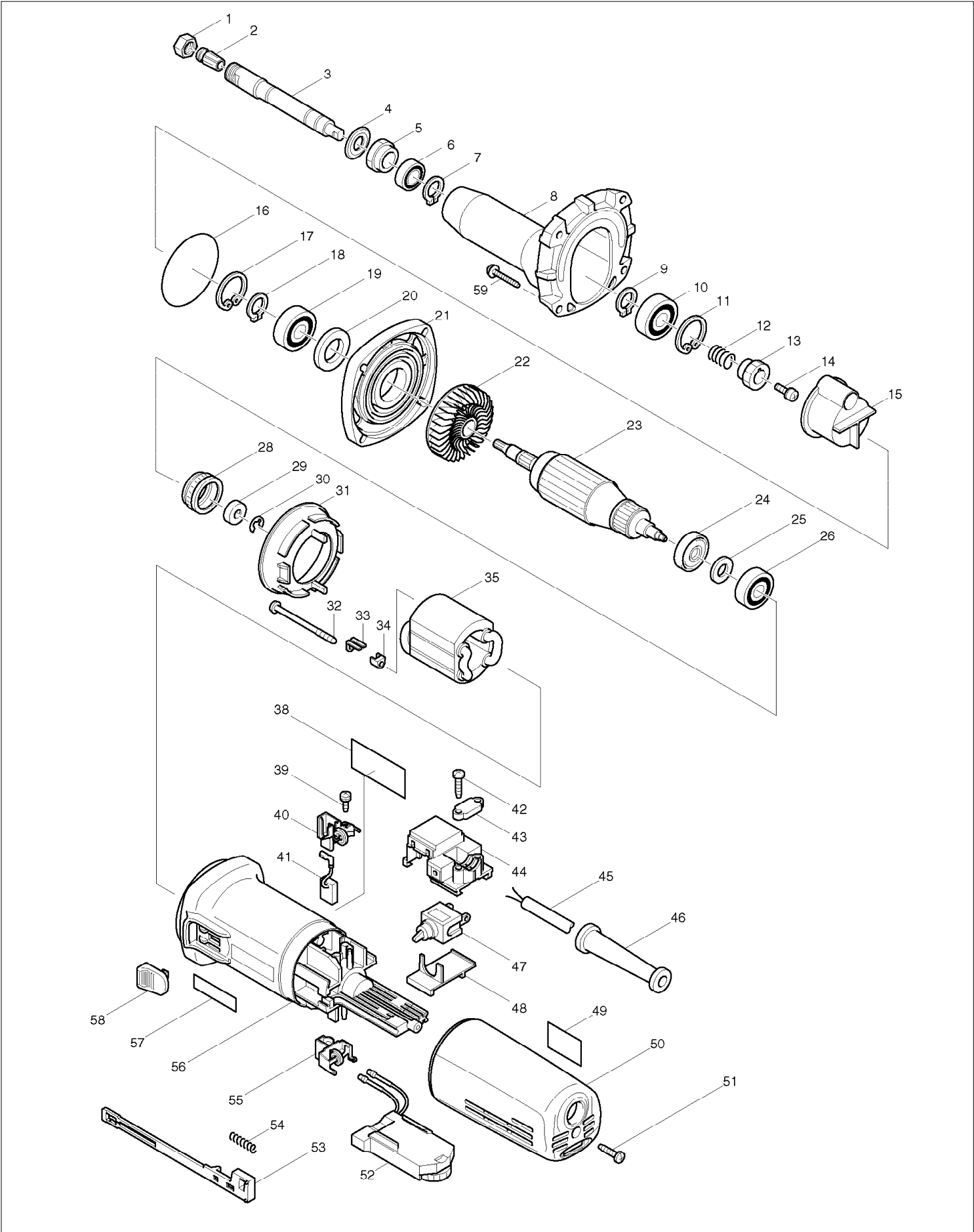


SERVICE DRAWING

MODEL NO. GD0810C



SPARE PARTS LIST

MODEL NO. GD0810C

ITEM	PART NO.	DESCRIPTION	QTY	NOTE
001	763645-2	COLLET NUT	1	
002	193012-1	COLLET CONE 6 INC. 1	1	
003	324042-3	SPINDLE	1	
004	213209-7	OIL SEAL 16	1	
005	285700-5	BEARING RETAINER	1	
006	211141-9	BALL BEARING 6901LLB	1	
007	961052-5	RETAINING RING S-12	1	
008	317369-8	BARREL	1	
009	961052-5	RETAINING RING S-12	1	
010	211148-5	BALL BEARING 6001ZZ	1	
011	962106-1	RETAINING RING R-28	1	
012	233901-9	LOCK SPRING 12	1	
013	226531-3	HELICAL GEAR 25	1	
014	265082-1	PAN HEAD SCREW M4X8	1	
015	417363-1	GEAR COVER	1	
016	213611-4	O RING 46	1	
017	962106-1	RETAINING RING R-28	1	
018	961052-5	RETAINING RING S-12	1	
019	211148-5	BALL BEARING 6001ZZ	1	
020	253084-9	FLAT WASHER 12	1	
021	317367-2	BEARING BOX	1	
022	240036-9	FAN 57	1	
023	515214-3	ARMATURE ASS'Y 240V INC. 22,24-26	1	
024	681656-4	INSULATION WASHER	1	
025	253823-7	FLAT WASHER 7	1	
026	210023-2	BALL BEARING 627DDW	1	
028	421770-2	LABYRINTH RUBBER RING 22	1	
029	688117-5	MAGNET SLEEVE	1	
030	259039-2	SELF LOCK 6	1	
031	413076-2	BAFFLE PLATE	1	
032	266259-1	TAPPING SCREW 4X60	2	
033	344871-8	RETAINER	2	
034	417237-6	INSULATION COVER	2	
035	626529-4	FIELD 230-240V	1	
038	852418-9	NAME PLATE GD0810C	1	
039	266256-7	TAPPING SCREW PT3X10	4	
040	643760-7	BRUSH HOLDER	1	
041	191978-9	A.C. CARBON BRUSH CB-318	1	
042	265995-6	TAPPING SCREW 4X18	2	
043	687052-4	STRAIN RELIEF	1	
044	632945-0	SWITCH BLOCK	1	
045	665394-6	POWER SUPPLY CORD 1.0-2-2.5	1	
046	682559-5	CORD GUARD 8	1	
047	651418-4	SWITCH ST115A-40	1	
048	687113-0	COVER	1	
049	816803-0	INDICATION LABEL	1	
050	417185-9	REAR COVER	1	
051	265995-6	TAPPING SCREW 4X18	1	
052	631391-4	CONTROLLER	1	
053	417187-5	SWITCH LEVER	1	
054	233071-4	COMPRESSION SPRING 4	1	
055	643974-8	BRUSH HOLDER	1	
056	417812-8	MOTOR HOUSING	1	
057	819720-3	MAKITA LABEL	1	
058	417813-6	SWITCH KNOB	1	
059	265999-8	TAPPING SCREW 4X25	4	
A01	781203-2	WRENCH 13	1	
A02	781206-6	WRENCH 19	1	