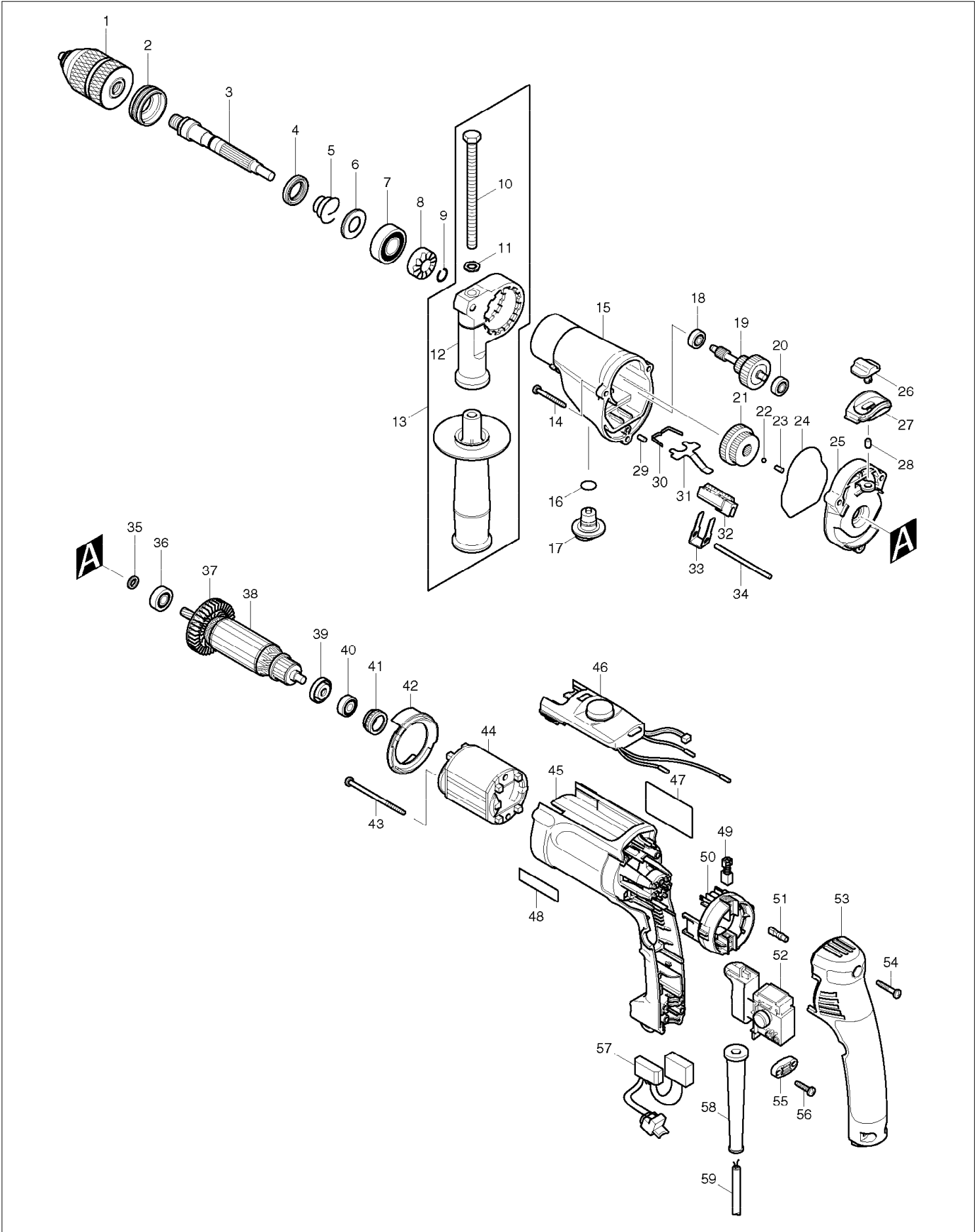


SERVICE DRAWING

MODEL NO. HP2071F



SPARE PARTS LIST

MODEL NO. HP2071F

| ITEM | PART NO. | DESCRIPTION | QTY | NOTE |
|------|----------|---|-----|------|
| 001 | 192664-5 | KEYLESS DRILL CHUCK | 1 | |
| 002 | 285839-4 | BEARING RETAINER | 1 | |
| 003 | 324247-5 | SPINDLE | 1 | |
| 004 | 213314-0 | OIL SEAL 19 | 1 | |
| 005 | 233921-3 | CONICAL COMPRESSION SPRING | 1 | |
| 006 | 345224-4 | CUP WASHER 15 | 1 | |
| 007 | 211206-7 | BALL BEARING 6202LLB | 1 | |
| 008 | 223141-7 | CAM A | 1 | |
| 009 | 233920-5 | RING SPRING 11 | 1 | |
| 010 | 921923-8 | HEX. BOLT M8X120 | 1 | |
| 011 | 345280-4 | HEX. WASHER | 1 | |
| 012 | 417630-4 | GRIP BASE | 1 | |
| 013 | 134943-5 | GRIP 36 ASS'Y INC. 10-12 | 1 | |
| 014 | 266053-1 | TAPPING SCREW 4X35 | 3 | |
| 015 | 153621-8 | GEAR HOUSING COMPLETE | 1 | |
| 016 | 213122-9 | O RING 12 | 1 | |
| 017 | 417805-5 | CHANGE LEVER B | 1 | |
| 018 | 211014-6 | BALL BEARING 606 | 1 | |
| 019 | 153622-6 | GEAR COMPLETE | 1 | |
| 020 | 211014-6 | BALL BEARING 606 | 1 | |
| 021 | 227119-2 | SPUR GEAR 29-37 | 1 | |
| 022 | 216001-0 | STEEL BALL 3.5 | 1 | |
| 023 | 256251-5 | PIN 4 | 1 | |
| 024 | 421810-6 | SEAL RING | 1 | |
| 025 | 153620-0 | GEAR HOUSING COVER COMPLETE | 1 | |
| 026 | 418083-0 | CHANGE LEVER A | 1 | |
| 027 | 417802-1 | LEVER CASE | 1 | |
| 028 | 263002-9 | RUBBER PIN 4 | 1 | |
| 029 | 256251-5 | PIN 4 | 1 | |
| 030 | 232143-2 | LEAF SPRING | 1 | |
| 031 | 345225-2 | LOCK PLATE | 1 | |
| 032 | 417804-7 | RACK 12 | 1 | |
| 033 | 345223-6 | CHANGE PLATE B | 1 | |
| 034 | 268092-7 | PIN 4 | 1 | |
| 035 | 262087-2 | RING 8 | 1 | |
| 036 | 210005-4 | BALL BEARING 608DDW | 1 | |
| 037 | 240065-2 | FAN 52 | 1 | |
| 038 | 517464-6 | ARMATURE ASS'Y 220-240V INC. 35-37,39,40 | 1 | |
| 039 | 681636-0 | INSULATION WASHER | 1 | |
| 040 | 211021-9 | BALL BEARING 607LLB | 1 | |
| 041 | 421494-0 | RUBBER RING 19 | 1 | |
| 042 | 418269-6 | BAFFLE PLATE | 1 | |
| 043 | 266004-4 | TAPPING SCREW 4X70 | 2 | |
| 044 | 633573-4 | FIELD 220-240V | 1 | |
| 045 | 183658-1 | MOTOR HOUSING INC. 48 | 1 | |
| 046 | 631534-8 | CONTROLLER | 1 | |
| 047 | 850579-9 | NAME PLATE HP2071F | 1 | |
| 048 | 819063-3 | MAKITA LABEL | 1 | |
| 049 | 191962-4 | CARBON BRUSH CB-419 | 1 | |
| 050 | 638413-1 | BRUSH HOLDER UNIT | 1 | |
| 051 | 686038-5 | RECEPTACLE SLEEVE | 2 | |
| 052 | 650212-1 | SWITCH TG813TB-4 | 1 | |
| 053 | 418273-5 | HANDLE COVER | 1 | |
| 054 | 265999-8 | TAPPING SCREW 4X25 | 3 | |
| 055 | 687052-4 | STRAIN RELIEF | 1 | |
| 056 | 265995-6 | TAPPING SCREW 4X18 | 2 | |
| 057 | 631545-3 | LIGHT CIRCUIT | 1 | |
| 058 | 682559-5 | CORD GUARD 8 | 1 | |

SPARE PARTS LIST

MODEL NO. HP2071F

| ITEM | PART NO. | DESCRIPTION | QTY | NOTE |
|------|----------|-----------------------------|-----|------|
| 059 | 665394-6 | POWER SUPPLY CORD 1.0-2-2.5 | 1 | |
| A01 | 324219-0 | DEPTH GAUGE | 1 | |
| A02 | 824650-5 | PLASTIC CARRYING CASE | 1 | |
