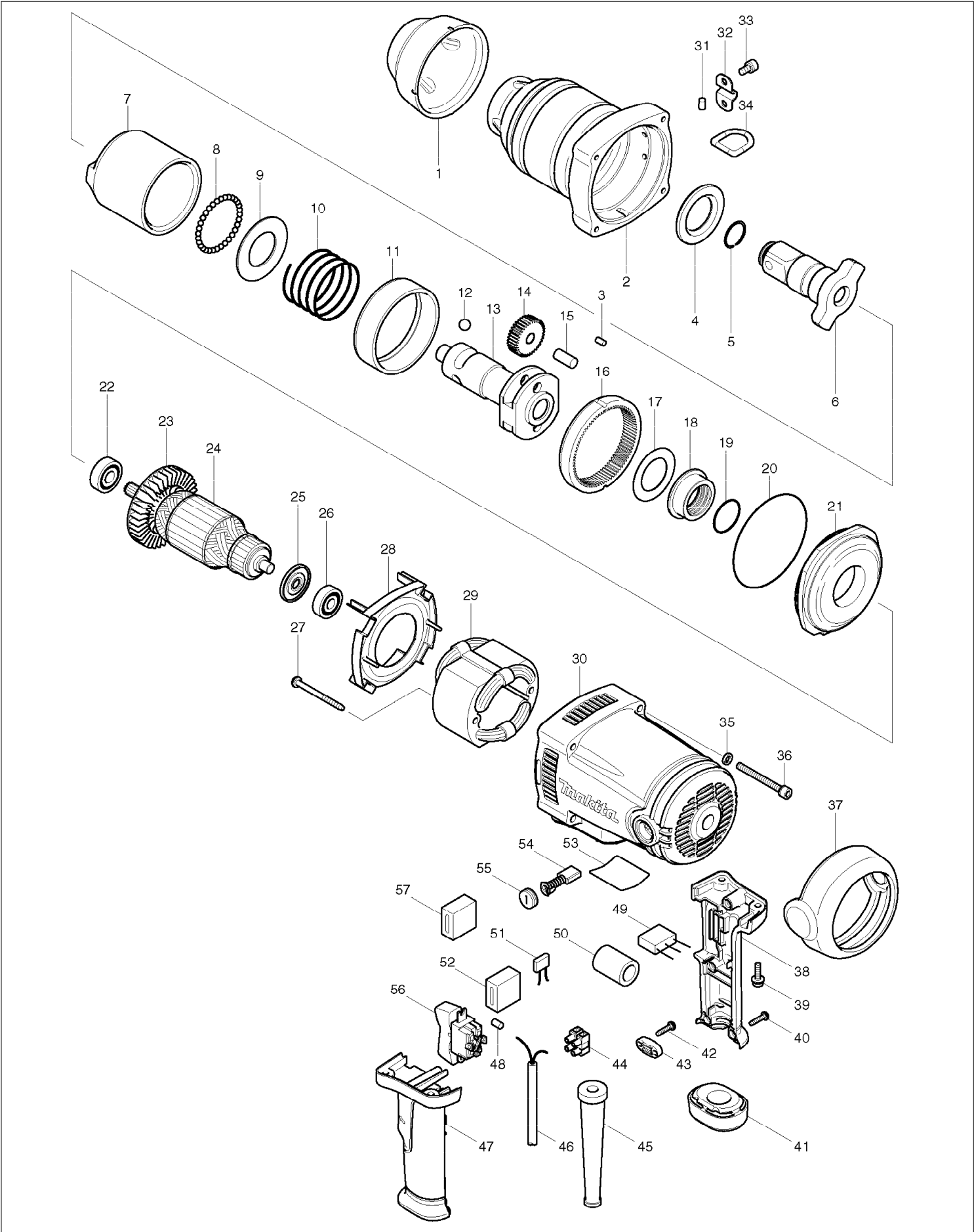


SERVICE DRAWING

MODEL NO. TW1000



SPARE PARTS LIST

MODEL NO. TW1000

ITEM	PART NO.	DESCRIPTION	QTY	NOTE
001	421895-2	FRONT BUMPER	1	
002	154555-8	HAMMER CASE COMPLETE	1	
003	256253-1	PIN 5	2	
004	253909-7	FLAT WASHER 35	1	
005	231921-7	RING SPRING 22	1	
006	325587-4	ANVIL	1	
007	325415-3	HAMMER	1	
008	216002-8	STEEL BALL 4.8	32	
009	253712-6	FLAT WASHER 36	1	
010	233428-9	COMPRESSION SPRING 45	1	
011	333112-7	RING 79	1	
012	216010-9	STEEL BALL 10.3	2	
013	324501-7	SPINDLE	1	
014	227149-3	SPUR GEAR 37	2	
015	256051-3	PIN 10	2	
016	221815-4	INTERNAL GEAR 82	1	
017	267170-0	FLAT WASHER 34	1	
018	310154-8	BEARING BOX	1	
019	213459-4	O RING 32	1	
020	213855-6	O RING 95	1	
021	317841-0	HAMMER CASE COVER	1	
022	211137-0	BALL BEARING 6201LLU	1	
023	240003-4	FAN 80	1	
024	516919-8	ARMATURE ASS'Y 240V INC. 22,23,25,26	1	
025	681665-3	INSULATION WASHER	1	
026	211066-7	BALL BEARING 6200LLB	1	
027	265345-5	+ HEX. BOLT M5X60	2	
028	418814-7	BAFFLE PLATE	1	
029	528940-5	FIELD ASS'Y 240V	1	
030	154556-6	MOTOR HOUSING COMPLETE	1	
031	263005-3	RUBBER PIN 6	1	
032	345517-9	PLATE	1	
033	266157-9	HEX. SOCKET HEAD BOLT M6X12	2	
034	282018-5	D-RING	1	
035	941151-9	FLAT WASHER 6	4	
036	265538-4	HEX.SOCKET HEAD BOLT M6X60	4	
037	421896-0	REAR BUMPER	1	
038	183935-1	HANDLE SET INC. 47	1	
039	911233-1	PAN HEAD SCREW M5X20	4	
040	265995-6	TAPPING SCREW 4X18	4	
041	421897-8	BUMPER	1	
042	265995-6	TAPPING SCREW 4X18	2	
043	687052-4	STRAIN RELIEF	1	
044	654531-7	TERMINAL BLOCK 2P	1	
045	682564-2	CORD GUARD	1	
046	665865-3	POWER SUPPLY CORD 1.0-2-2.5	1	
047	183935-1	HANDLE SET INC. 38	1	
048	263005-3	RUBBER PIN 6	1	
049	645253-0	NOISE SUPPRESSOR	1	
050	685722-9	SPONGE	1	
051	646755-9	RESISTOR	1	
052	685725-3	SPONGE SHEET	1	
053	861265-7	TW1000 NAME PLATE	1	
054	181044-0	CARBON BRUSH CB-153	1	
055	643650-4	BRUSH HOLDER CAP 6.5-13.5	2	
056	651572-4	SWITCH SL220SD-19	1	
057	685725-3	SPONGE SHEET	1	
A01	122727-3	SIDE GRIP ASS'Y	1	

SPARE PARTS LIST

MODEL NO. TW1000

ITEM	PART NO.	DESCRIPTION	QTY	NOTE
A02	134872-2	SOCKET 41-80 ASS'Y INC. A03,A04	1	
A03	213570-2	O-RING 44	1	
A04	256284-0	PIN 5	1	
A05	824737-3	PLASTIC CARRYING CASE	1	
