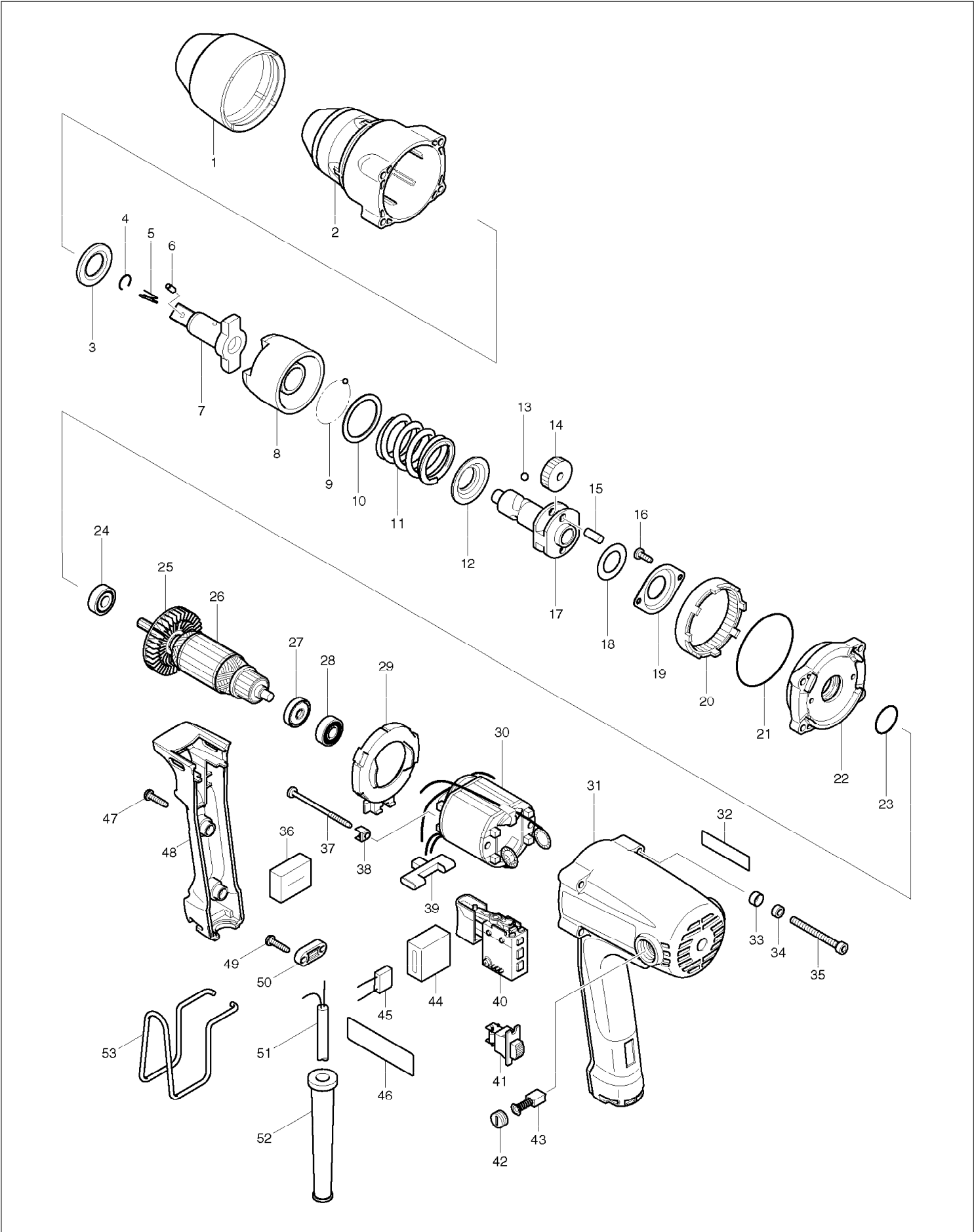


SERVICE DRAWING

MODEL NO. TW0200



SPARE PARTS LIST

MODEL NO. TW0200

ITEM	PART NO.	DESCRIPTION	QTY	NOTE
001	421839-2	BUMPER	1	
002	153581-4	HAMMER CASE COMPLETE	1	
003	267268-3	FLAT WASHER 19	1	
004	231907-1	RING SPRING 10	1	
007	324344-7	ANVIL	1	
008	324341-3	HAMMER	1	
009	216001-0	STEEL BALL 3.5	31	
010	267269-1	FLAT WASHER 32	1	
011	233377-0	COMPRESSION SPRING 30	1	
012	267777-2	CUP WASHER 19	1	
013	216007-8	STEEL BALL 6.4	2	
014	227092-6	SPUR GEAR 32	2	
015	256002-6	PIN 6	2	
016	266026-4	TAPPING SCREW BIND CT 4X12	2	
017	324339-0	SPINDLE	1	
018	253794-8	FLAT WASHER 18	1	
019	285709-7	BEARING RETAINER 44	1	
020	227093-4	INTERNAL GEAR 71	1	
021	213670-8	O RING 58	1	
022	153583-0	INTERNAL GEAR COVER COMPLETE	1	
023	213373-4	O RING 22	1	
024	210005-4	BALL BEARING 608DDW	1	
025	241881-5	FAN 52	1	
026	517448-4	ARMATURE ASS'Y 220-240V INC. 24,25,27,28	1	
027	681652-2	INSULATION WASHER	1	
028	211021-9	BALL BEARING 607LLB	1	
029	418187-8	BAFFLE PLATE	1	
030	599354-5	FIELD ASS'Y 220-240V	1	
031	140021-1	MOTOR HOUSING COMPLETE	1	
032	819063-3	MAKITA LABEL	1	
033	253929-1	CUP WASHER 5	4	
034	262001-8	URETHANE RING 5	4	
035	266331-9	HEX. SOCKET HEAD BOLT M5X50	4	
036	685700-9	SPONGE SHEET	1	
037	266091-3	TAPPING SCREW 4X50	2	
038	417237-6	INSULATION COVER	2	
039	418186-0	F/L CHANGE LEVER	1	
040	650523-4	SWITCH C3MA-DB	1	
042	643550-8	BRUSH HOLDER CAP 5-8	2	
043	191940-4	CARBON BRUSH CB-411	1	
045	645253-0	NOISE SUPPRESSOR	1	
046	850444-2	NAME PLATE TW0200	1	
047	265995-6	TAPPING SCREW 4X18	3	
048	418189-4	HANDLE COVER	1	
049	265995-6	TAPPING SCREW 4X18	2	
050	687052-4	STRAIN RELIEF	1	
051	665865-3	POWER SUPPLY CORD 1.0-2-2.5	1	
052	682566-8	CORD GUARD 10	1	
053	324284-9	HOOK	1	
A01	134841-3	SOCKET 24-45 ASS'Y	1	
A02	824703-0	PLASTIC CARRYING CASE	1	